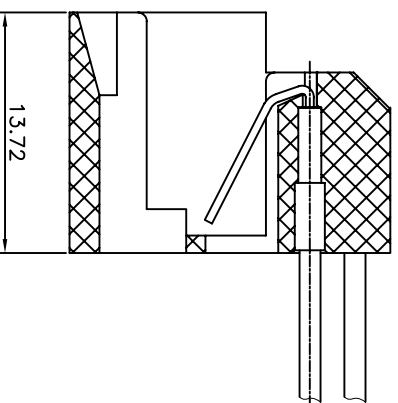
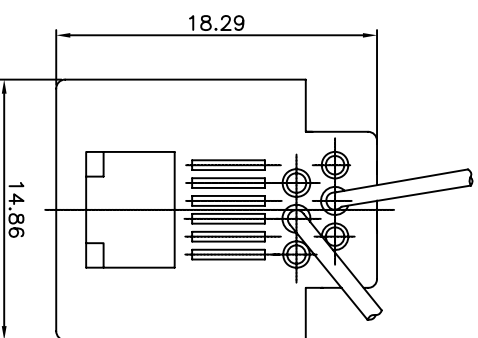
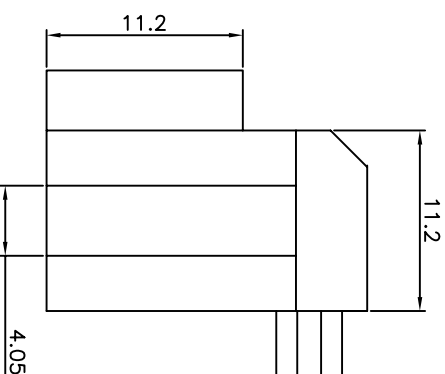
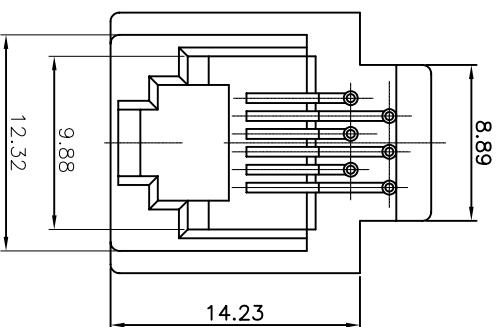


REV.	ECN NO.	DATE



SPECIFICATION NOTES:

ELECTRICAL:

- VOLTAGE RATING: 125 VAC RMS
- CURRENT RATING: 1.5 AMP
- CONTACT RESISTANCE: 20mΩ MAX.
- INSULATION RESISTANCE: 1000MΩ MIN. AT 500V DC.
- DIELECTRIC STRENGTH: 1000 V AC OR 1500V DC RMS AT 0.5mA 50 Hz / 60 Hz FOR 1 MINUTE

MECHANICAL:

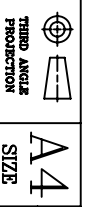
- HOUSING: ABS
  - CONTACT MATERIAL: DIA. PHOSPHORBRONZE  
φ=0.46MM
  - PLATING: GOLD PLATING AT CONTACT AREA, NICKEL 30U MIN. OVER ALL
  - OPERATING LIFE: 750 CYCLES MIN.
  - MATING/UNMATING FORCE: 30N/3.06KG MAX.
  - RETENTION STRENGTH: 50N MIN. FOR 60S±5S
- ENVIRONMENTAL:
- STORAGE: 0°C TO +70°C RELATIVE HUMIDITY < 80%
  - GUARANTEE PERIOD: 6 MONTHS
  - OPERATION: 0°C TO +70°C

ROHS COMPLIANT



温州意华接插件股份有限公司

WENZHOU YIHUA CONNECTOR CO., LTD



A4  
SIZE

SCALE	UNIT	CUSTOMER:	N/A
1:1	mm	MODEL NO.:	N/A

TOLERANCES
0-15 ±0.15
15-30 ±0.20
30-50 ±0.25
50- ANGLES: ±1°

Material:	Designed:
Finish:	Checked:
SHEET 1 OF 1	Approved:

NAME:	623K 6P2C
DWG NO.	
PART NO.	

REV.

1

2

3

4